



SDM-USB-QS-S USB MODULE DATA GUIDE

DESCRIPTION

The Linx QS Series USB module allows the rapid addition of USB to virtually any device. Housed in a compact SMD package, the QS module provides a complete solution for converting between USB and CMOS / TTL logic level serial sources. The module can be directly connected to virtually any serial device including microprocessors, RS-232 / RS-485 level converters, or Linx wireless RF modules. The QS module is completely self contained, so it requires no external components, (except a USB jack) and includes all necessary firmware and drivers, freeing the designer from complicated programming. Power can be supplied externally or from the USB bus. Both USB 1.1 and USB 2.0 are supported at data rates up to 3Mbps.

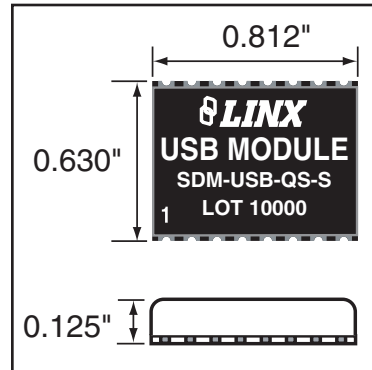


Figure 1: Package Dimensions

FEATURES

- Single chip USB-to-asynchronous serial data conversion
- Low cost
- 3Mbps baud rate
- Supports low-speed USB
- Full handshaking support for RS-232 and RS-485
- Bus- or self-powered
- VID, PID, serial number, and descriptors programmed via USB
- No external components needed (except a USB jack)
- Compact surface-mount package
- Drivers and firmware included
- Supports Windows 98/2000/ME/XP
- USB 1.1 and 2.0 compatible

APPLICATIONS INCLUDE

- Interface / Upgrade Legacy Peripherals
- Interfacing Microcontrollers To USB
- USB to RS-232 / RS-485 Converters
- Interfacing RF Modules To USB
- USB Smart Card Readers
- USB Modems
- Robotics
- USB Instrumentation
- USB Game Controllers
- USB-to-Serial Converter Cables

ORDERING INFORMATION

PART #	DESCRIPTION
SDM-USB-QS-S	USB Module
MDEV-USB-QS	Master Development Kit

ELECTRICAL SPECIFICATIONS

Parameter	Designation	Min.	Typical	Max.	Units	Notes
POWER SUPPLY						
Operating Voltage	V _{CC}	4.35	5.0	5.25	VDC	–
Supply Current	I _{CC}	–	26.0	28.0	mA	–
UART SECTION						
Data Rate	–	0.0003	–	3.0	Mbps	–
Data Output:						
Logic Low	V _{OL}	0.3	0.4	0.6	VDC	–
Logic High	V _{OH}	3.2	4.1	4.9	VDC	–
EEPROM Size	–	–	–	1,024	Bits	–
USB SECTION						
Data Output:						
Logic Low	UV _{OL}	0.0	–	0.3	VDC	–
Logic High	UV _{OH}	2.8	–	3.6	VDC	–
Single-Ended RX Threshold	UV _{SE}	0.8	–	2.0	VDC	–
Differential Common Mode	UC _{OM}	0.8	–	2.5	VDC	–
Differential Input Sensitivity	UV _{DIF}	0.2	–	–	VDC	–
Driver Output Impedance	UD _{RVZ}	29	–	44	Ω	–
ENVIRONMENTAL						
Operating Temperature Range	–	0.0	–	+70	°C	–

ABSOLUTE MAXIMUM RATINGS

Supply Voltage V _{CC}	-0.5	to	+6.0	VDC
Any Input or Output Pin	-0.5	to	V _{CC} + 0.5	VDC
Max Current Sourced By Outputs			24	mA
Operating Temperature	0	to	+70	°C
Storage Temperature	-65	to	+150	°C
Soldering Temperature	+225°C for 10 seconds			

NOTE Exceeding any of the limits of this section may lead to permanent damage to the device. Furthermore, extended operation at these maximum ratings may reduce the life of this device.



CAUTION

This product incorporates numerous static-sensitive components. Always wear an ESD wrist strap and observe proper ESD handling procedures when working with this device. Failure to observe this precaution may result in module damage or failure.

PIN ASSIGNMENTS

1	USBDP	RI	16
2	USBDM	DCD	15
3	GND	DSR	14
4	VCC	DATA_IN	13
5	SUSP_IND	DATA_OUT	12
6	RX_IND	RTS	11
7	TX_IND	CTS	10
8	485_TX	DTR	9

Figure 2: SDM-USB-QS-S Pinout (Top View)

PIN DESCRIPTIONS

Pin #	Name	Description
1	USBDP	USB data signal plus
2	USBDM	USB data signal minus
3	GND	Ground supply
4	V _{CC}	Positive power supply
5	SUSP_IND	Goes low during USB Suspend Mode. This pin can be used to power down external logic when the host puts the USB bus into suspend mode.
6	RX_IND	This line will pulse low when receiving data from the USB bus. This allows for the connection of a LED indicator.
7	TX_IND	This line will pulse low when transmitting data on the USB bus. This allows for the connection of a LED indicator.
8	485_TX	Transmit enable line for RS-485 applications
9	DTR	Data Terminal Ready control / handshake output
10	CTS	Clear To Send control / handshake input
11	RTS	Request To Send control / handshake output
12	DATA_OUT	Transmit asynchronous data output
13	DATA_IN	Receive asynchronous data input
14	DSR	Data Set Ready control / handshake input
15	DCD	Data Carrier Detect control / input
16	RI	Ring Indicator control input

PAD LAYOUT

The following pad layout diagram is designed to facilitate both hand and automated assembly.

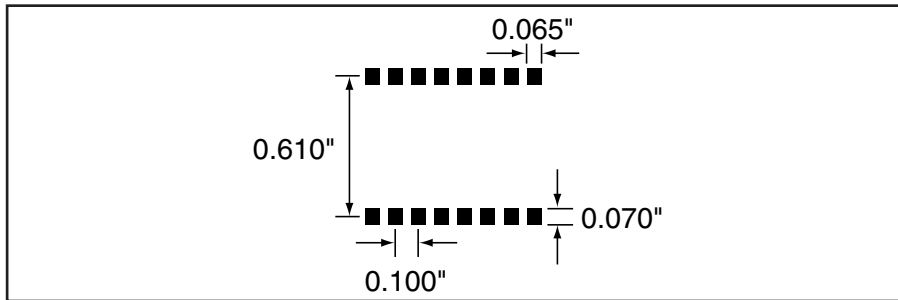


Figure 3: Recommended PCB Layout

PRODUCTION GUIDELINES

The modules are housed in a hybrid SMD package that supports hand or automated assembly techniques. Since the modules contain discrete components internally, the assembly procedures are critical to ensuring the reliable function of the modules. The following procedures should be reviewed with and practiced by all assembly personnel.

HAND ASSEMBLY

Pads located on the bottom of the module are the primary mounting surface. Since these pads are inaccessible during mounting, castellations that run up the side of the module have been provided to facilitate solder wicking to the module's underside. This allows for very quick hand soldering for prototyping and small volume production.

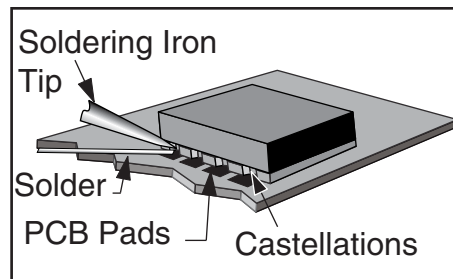


Figure 4: Soldering Technique

If the recommended pad guidelines have been followed, the pads will protrude slightly past the edge of the module. Use a fine soldering tip to heat the board pad and the castellation, then introduce solder to the pad at the module's edge. The solder will wick underneath the module, providing reliable attachment. Tack one module corner first and then work around the device, taking care not to exceed the times listed below.

Absolute Maximum Solder Times

Hand-Solder Temp. TX +225°C for 10 Seconds

Hand-Solder Temp. RX +225°C for 10 Seconds

Recommended Solder Melting Point +180°C

Reflow Oven: +220°C Max. (See adjoining diagram)

AUTOMATED ASSEMBLY

For high-volume assembly, most users will want to auto-place the modules. The modules have been designed to maintain compatibility with reflow processing techniques; however, due to their hybrid nature, certain aspects of the assembly process are far more critical than for other component types.

Following are brief discussions of the three primary areas where caution must be observed.

Reflow Temperature Profile

The single most critical stage in the automated assembly process is the reflow stage. The reflow profile below should not be exceeded, since excessive temperatures or transport times during reflow will irreparably damage the modules. Assembly personnel will need to pay careful attention to the oven's profile to ensure that it meets the requirements necessary to successfully reflow all components while still remaining within the limits mandated by the modules. The figure below shows the recommended reflow oven profile for the modules.

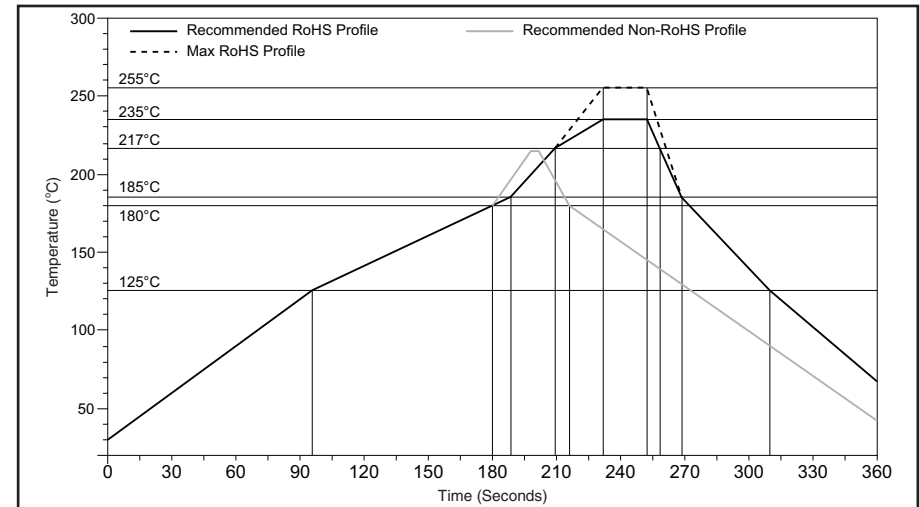


Figure 19: Maximum Reflow Profile

Shock During Reflow Transport

Since some internal module components may reflow along with the components placed on the board being assembled, it is imperative that the modules not be subjected to shock or vibration during the time solder is liquid. Should a shock be applied, some internal components could be lifted from their pads, causing the module to not function properly.

Washability

The modules are wash resistant, but are not hermetically sealed. Linx recommends wash-free manufacturing; however, the modules can be subjected to a wash cycle provided that a drying time is allowed prior to applying electrical power to the modules. The drying time should be sufficient to allow any moisture that may have migrated into the module to evaporate, thus eliminating the potential for shorting damage during power-up or testing. If the wash contains contaminants, the performance may be adversely affected, even after drying.

MODULE DESCRIPTION

The Linx SDM-USB-QS-S module will convert USB signals from a host, such as a PC or hub, into TTL logic level signals. This enables the module to be connected directly to microcontrollers (or Linx RF modules for wireless applications) or to RS-232 or RS-485 level converters for communication with legacy devices. The module handles all of the complicated enumeration and bus communication processes, freeing the designer to focus on handling the data. All necessary firmware is included in the module and the device descriptors can easily be changed to customize the device.

The host application software can access the USB device by simple, custom functions or by standard Windows Win32 API calls. In addition, Virtual COM Port drivers are available that make the USB module appear to the PC as an additional COM port, without the need for additional system resources, such as an IRQ or address. This allows the designer to program the application software to use standard serial or parallel ports and then simply select the port that represents the USB module. The drivers will automatically direct the data to the USB bus and the device.

INSTALLING THE DRIVERS

The drivers for the USB module are included with the module's development system or may be downloaded from the Linx website at www.linxtechnologies.com. These drivers should be downloaded onto the hard drive of a PC or onto a disk. When the module is attached to the PC for the first time, Windows will automatically detect the device and search for the best driver. Windows will prompt for the location of the drivers, so browse to the folder or the disk, click Next, and Windows will do the rest. Windows XP may return an error window as shown in the figure below.

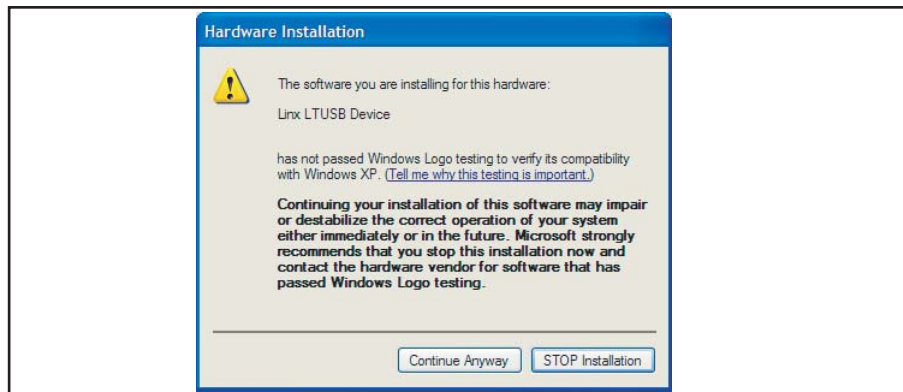


Figure 6: Windows XP Driver Error Window

This window is simply a warning that the driver has not gone through Microsoft's certification process and could potentially pose a problem for the system. The drivers provided for the QS module have been independently tested and should not pose any problems unless modified by the user. Click the Continue Anyway button to finish the installation process.

THEORY OF OPERATION

Figure 7 below shows a block diagram of the QS module.

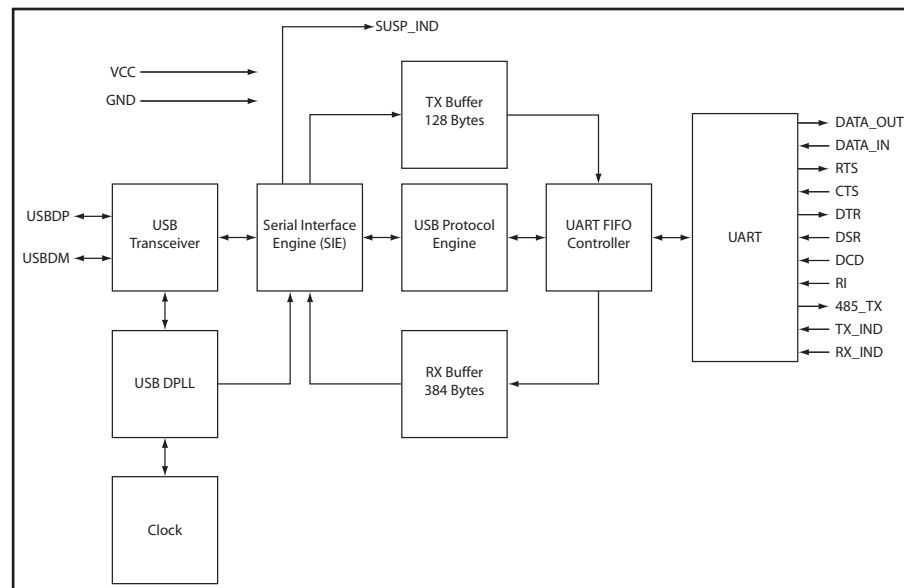


Figure 7: SDM-USB-QS-S Block Diagram

The USB transceiver block provides the physical interface for the USB signalling. The USB DPLL locks onto the NRZ data and provides separate recovered clock and data signals to the Serial Interface Engine (SIE).

The SIE performs the parallel-to-serial and serial-to-parallel conversion, bit-stuffing / un-stuffing, and CRC calculations on the USB data.

The USB Protocol Engine manages the data from the USB control endpoint, the USB protocol requests from the USB host controller, and the commands for controlling the functional parameters of the UART.

Data from the USB data out endpoint is stored in the TX buffer and removed from the buffer to the UART transmit register under control of the UART FIFO controller.

Data from the UART receive register is stored in the RX buffer prior to being removed by the SIE on a USB request for data from the device data in endpoint.

The UART FIFO controller handles the transfer of data between the RX and TX buffers and the UART transmit and receive registers.

The UART performs asynchronous 7 / 8 bit parallel-to-serial and serial-to-parallel conversion of the data on the RS-232 interface. Control signals supported by the UART include RTS, CTS, DSR, DTR, DCD, and RI. The UART provides a transmitter-enable control signal (485_TX) to assist with interfacing to RS-485 transceivers. The UART supports RTS / CTS, DSR / DTR and X-On / X-Off handshaking options. Handshaking, where required, is handled in hardware to ensure fast response times. The UART also supports the RS-232 BREAK setting and detection conditions.

POWER SUPPLY GUIDELINES

The USB module can be powered in two ways: from the USB bus or from an external source. If necessary, a voltage regulator can be used to supply a clean 5V as the external source, or the V_{CC} pin can be connected to the bus power pin of the USB connector. Using the bus to power the module is an advantage because the module then uses power from the host rather than from the peripheral. This is especially helpful if the peripheral is battery-powered. Figure 8 shows the schematic for a bus-powered device.

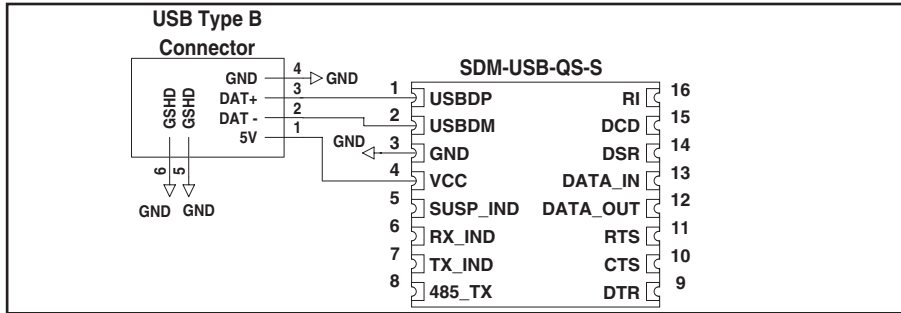


Figure 8: USB Bus-Powered Schematic

The USB specification has strict allowances for using power from the bus. A device is allowed to use 100mA before enumeration, 500mA during normal operation, and 500mA in suspend mode. A descriptor stored in the EEPROM will tell the host how much current the device will pull from the bus so that the host can allocate the appropriate power. The modules come programmed for 100mA, but if the final product will draw more than this, then the device descriptors will need to be changed as described below.

CHANGING THE DEVICE DESCRIPTORS

The QS can be customized to display your product's name, manufacturer name, and to use different Product Identifiers (PID) and Vendor Identifiers (VID). This allows an end user to see the final product's name in their Windows Device Manager and when the hardware is first loaded. The PID and VID are set by the USB Implementers Forum and should not be changed unless the final product has gone through the certification process and received its own unique IDs.

The Manufacturer, Description, and Serial Number strings can all be modified using the QS EEPROM Programmer software, which can be downloaded from the Linx web site. This easy-to-use software will reprogram the module via the USB bus and can be done as a part of the final testing procedure.

Once the module is reprogrammed, some modifications to the driver files may be necessary. If a VID and PID other than the default Linx numbers are used, these numbers will need to be added to the files. This requires modifying several lines in the .inf files and is described in detail in the QS Series Programmer's Guide. Modifying the name displayed by the Windows Device Manager requires changing only one line, also described in the Programmer's Guide.

Note: when these drivers are installed on a system with Windows XP, an error message may be displayed stating that these drivers are not certified and could potentially crash the system. As long as no other changes are made to the .inf files, this should not be a concern.

TYPICAL APPLICATIONS

There are many potential uses for the QS Series modules, three of which will be described here. Figure 9 shows the QS and a MAX213 RS-232 level converter IC from Maxim. This creates a USB-to-RS-232 converter that supports all of the standard handshaking lines. Similarly, RS-485 or RS-422 level converter chips could be used for designs requiring those standards.

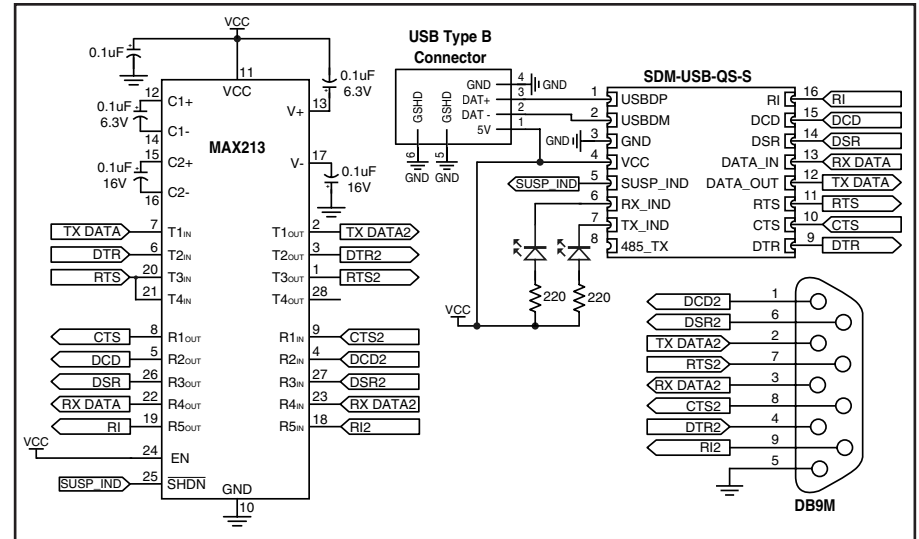


Figure 9: RS-232 To USB Converter

The QS Series modules can be used with Linx RF modules to create a wireless link between two PCs. Figure 10 shows a design using the ES Series RF modules. An option not shown in the schematic below is that one of the output lines of the QS module (RTS or DTR) could be connected to the PDN lines of the RF modules, enabling the host to turn the RF modules on and off.

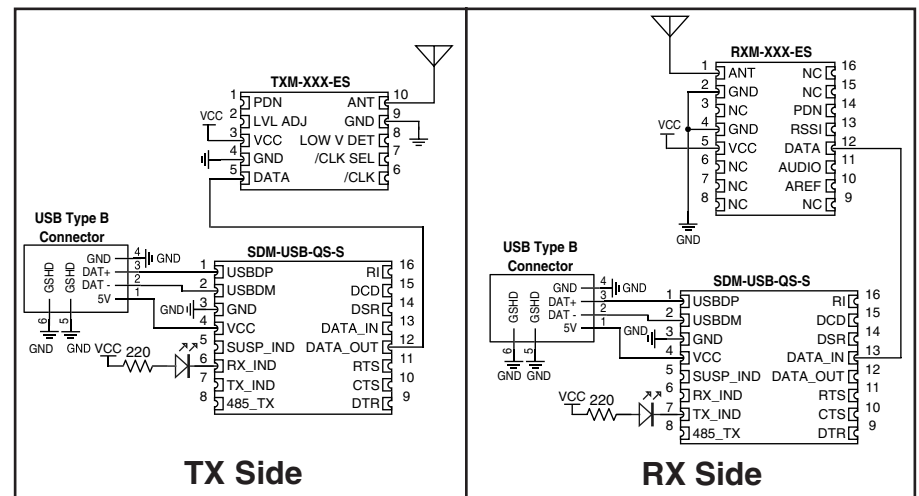


Figure 10: Wireless Modem Using ES Series RF Modules

TYPICAL APPLICATIONS (CONT.)

Figure 11 below shows the QS module connected to a microprocessor. This is the design used in the QS Master Development Kit and the documentation for the kit describes the connections and software.

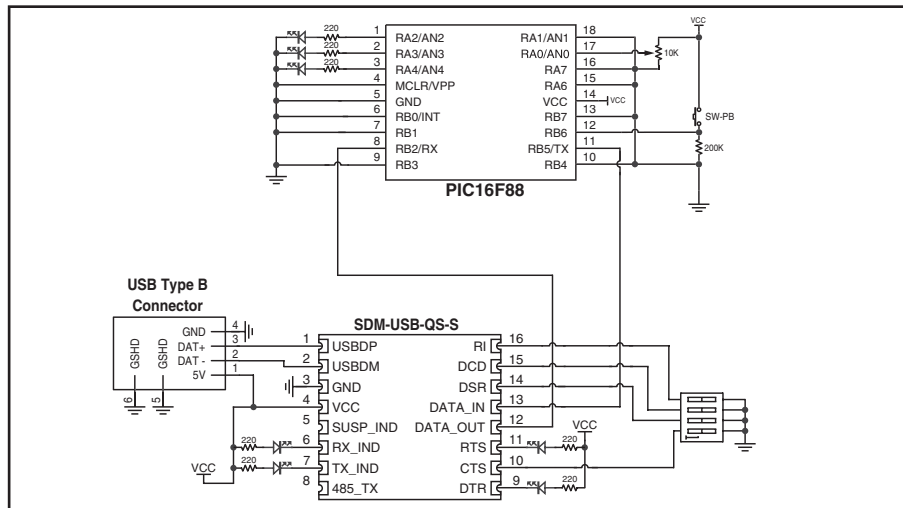


Figure 11: Interface With A Microprocessor

SOFTWARE CONSIDERATIONS

The PC needs a set of drivers that tell it how to communicate with the QS module. The CDM drivers for the QS Series module actually install two different drivers at the same time. The first driver makes the QS appear as an extra COM port on the host PC. This allows the application to use standard writes and reads to a serial port, and the drivers will redirect data to the USB device.

The second driver supports a series of functions that allow more direct control of the QS module. These functions are described in Application Note AN-00200: SDM-USB-QS-S Programmer's Guide, where examples are given in both Visual Basic and C. The Programmer's Guide can be downloaded from the Application Notes page in the Support section of the Linx website at www.linxtechnologies.com. Sample software is available on the Software page in the Support section.

In addition to the Programmer's Guide, the QS Master Development System (MDEV-USB-QS) includes example software and sample system source code. This source code provides the driver function declarations, examples of how to use the functions in a program, and other code that may be of use.

SERIAL NUMBER CONSIDERATIONS

The VID and PID are used by Windows to determine what devices are attached to the bus and which drivers to load in order to communicate with each device. A unique serial number is used to distinguish between different devices of the same type so that the operating system can be sure that it is communicating with the correct one. Windows will view every different combination of VID, PID, and serial number as a new device and will start the "Found New Hardware" wizard for each one. This is an issue in a mass production environment, so the QS modules are shipped with the "Enable Serial Number" option disabled in the EEPROM. This prevents the serial number from being used during enumeration.

With the serial number disabled, Windows will track each device by connection and assign a USB port to a particular device. If the device is moved to another port, it will need to be reinstalled. The problem that arises is that the device will be installed on the same PC multiple times, once for each USB port into which it has been plugged.

It is recommended to set the "Enable Serial Number" option and to use a unique serial number as a part of the final testing procedure of your product. The QS EEPROM Programmer can be downloaded from the Linx website and the EEPROM programming functions can be found in Application Note AN-00200. These can be used as a part of an automated test program at the end of the production line to program custom descriptors and a unique serial number into the product.

Avoid using the same serial number for multiple devices, as it can cause a conflict in the operating system. Windows XP has a particular problem with this and may crash if it sees two of the same type of device with the same serial number on the same bus.

HELPFUL APPLICATION NOTES FROM LINX

It is not the intention of this manual to address in depth many of the issues that should be considered to ensure that the modules function correctly and deliver the maximum possible performance. As you proceed with your design, you may wish to obtain the following application notes. They are available on line at www.linxtechnologies.com or by contacting the Linx literature department.

NOTE	APPLICATION NOTE TITLE
AN-00200	SDM-USB-QS-S Programmer's Guide
AN-00201	Installing the SDM-USB-QS-S Drivers



U.S. CORPORATE HEADQUARTERS

LINX TECHNOLOGIES, INC.

**159 ORT LANE
MERLIN, OR 97532**

PHONE: (541) 471-6256

FAX: (541) 471-6251

www.linxtechnologies.com

Disclaimer

Linx Technologies is continually striving to improve the quality and function of its products. For this reason, we reserve the right to make changes to our products without notice. The information contained in this Overview Guide is believed to be accurate as of the time of publication. Specifications are based on representative lot samples. Values may vary from lot-to-lot and are not guaranteed. "Typical" parameters can and do vary over lots and application. Linx Technologies makes no guarantee, warranty, or representation regarding the suitability of any product for use in any specific application. It is the customer's responsibility to verify the suitability of the part for the intended application. NO LINX PRODUCT IS INTENDED FOR USE IN ANY APPLICATION WHERE THE SAFETY OF LIFE OR PROPERTY IS AT RISK.

Linx Technologies DISCLAIMS ALL WARRANTIES OF MERCHANTABILITY AND FITNESS FOR A PARTICULAR PURPOSE. IN NO EVENT SHALL LINX TECHNOLOGIES BE LIABLE FOR ANY OF CUSTOMER'S INCIDENTAL OR CONSEQUENTIAL DAMAGES ARISING IN ANY WAY FROM ANY DEFECTIVE OR NON-CONFORMING PRODUCTS OR FOR ANY OTHER BREACH OF CONTRACT BY LINX TECHNOLOGIES. The limitations on Linx Technologies' liability are applicable to any and all claims or theories of recovery asserted by Customer, including, without limitation, breach of contract, breach of warranty, strict liability, or negligence. Customer assumes all liability (including, without limitation, liability for injury to person or property, economic loss, or business interruption) for all claims, including claims from third parties, arising from the use of the Products. The Customer will indemnify, defend, protect, and hold harmless Linx Technologies and its officers, employees, subsidiaries, affiliates, distributors, and representatives from and against all claims, damages, actions, suits, proceedings, demands, assessments, adjustments, costs, and expenses incurred by Linx Technologies as a result of or arising from any Products sold by Linx Technologies to Customer. Under no conditions will Linx Technologies be responsible for losses arising from the use or failure of the device in any application, other than the repair, replacement, or refund limited to the original product purchase price. Devices described in this publication may contain proprietary, patented, or copyrighted techniques, components, or materials. Under no circumstances shall any user be conveyed any license or right to the use or ownership of such items.